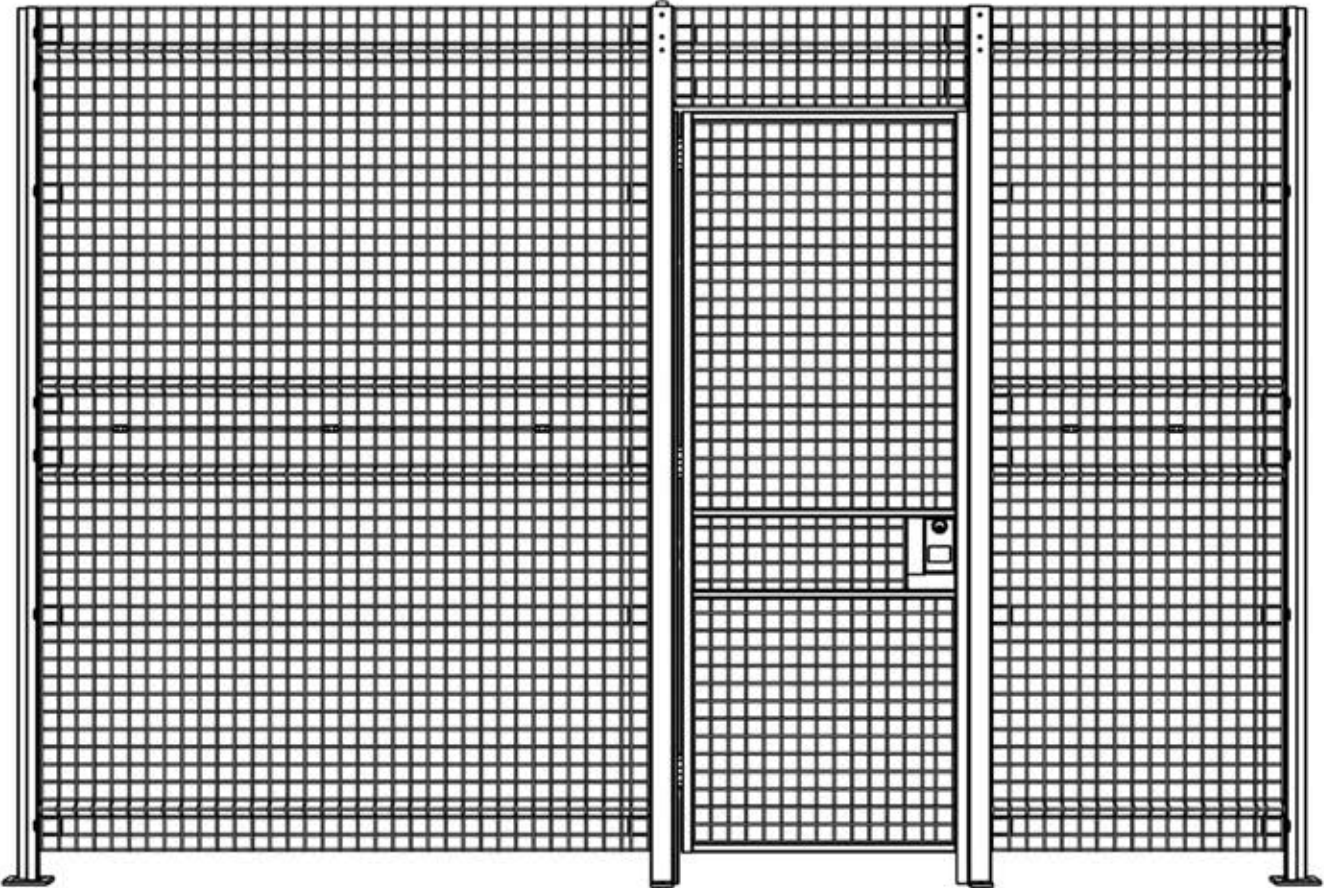


# Welded Wire

## Installation Instructions

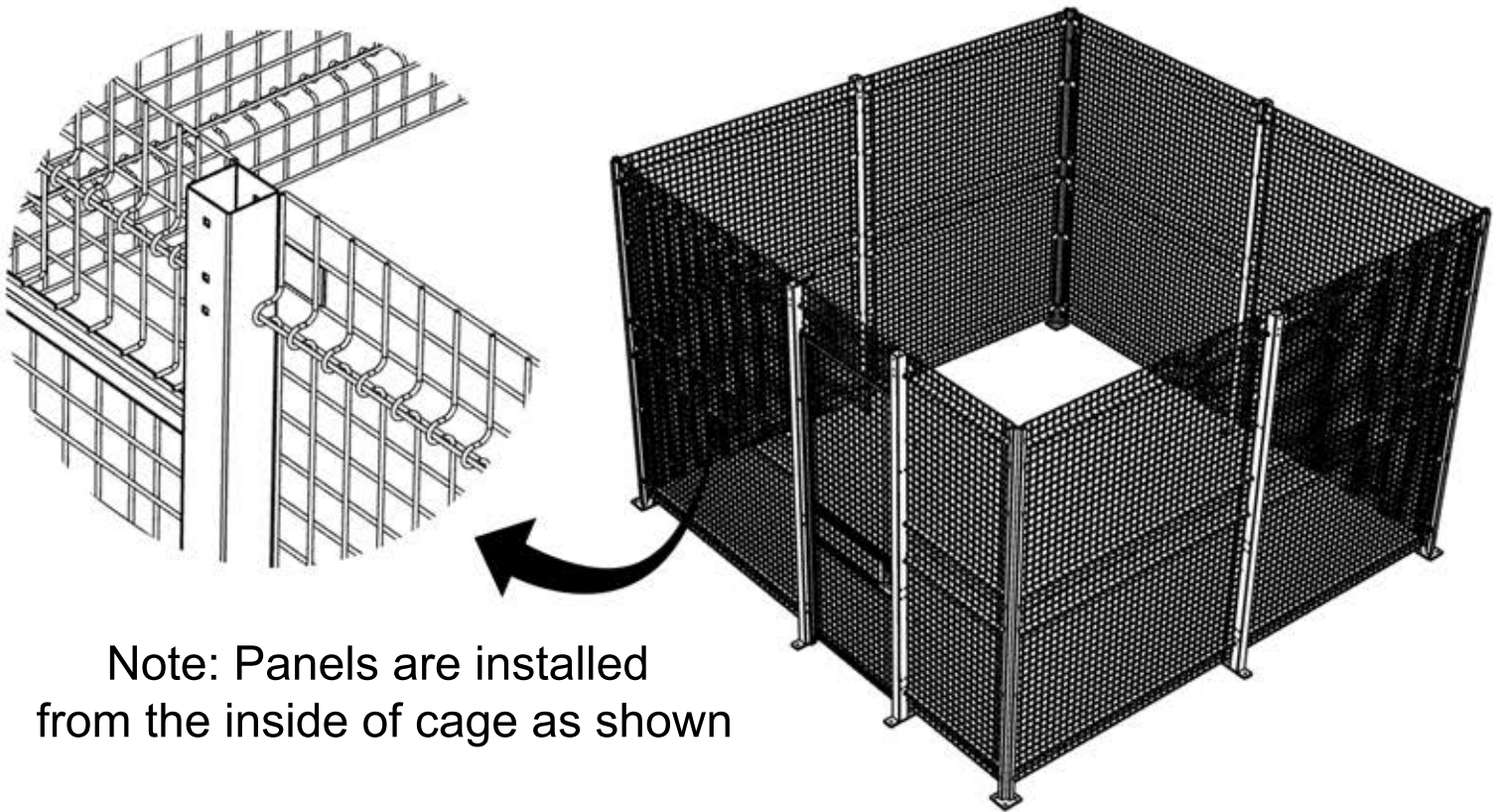


### TOOLS REQUIRED:



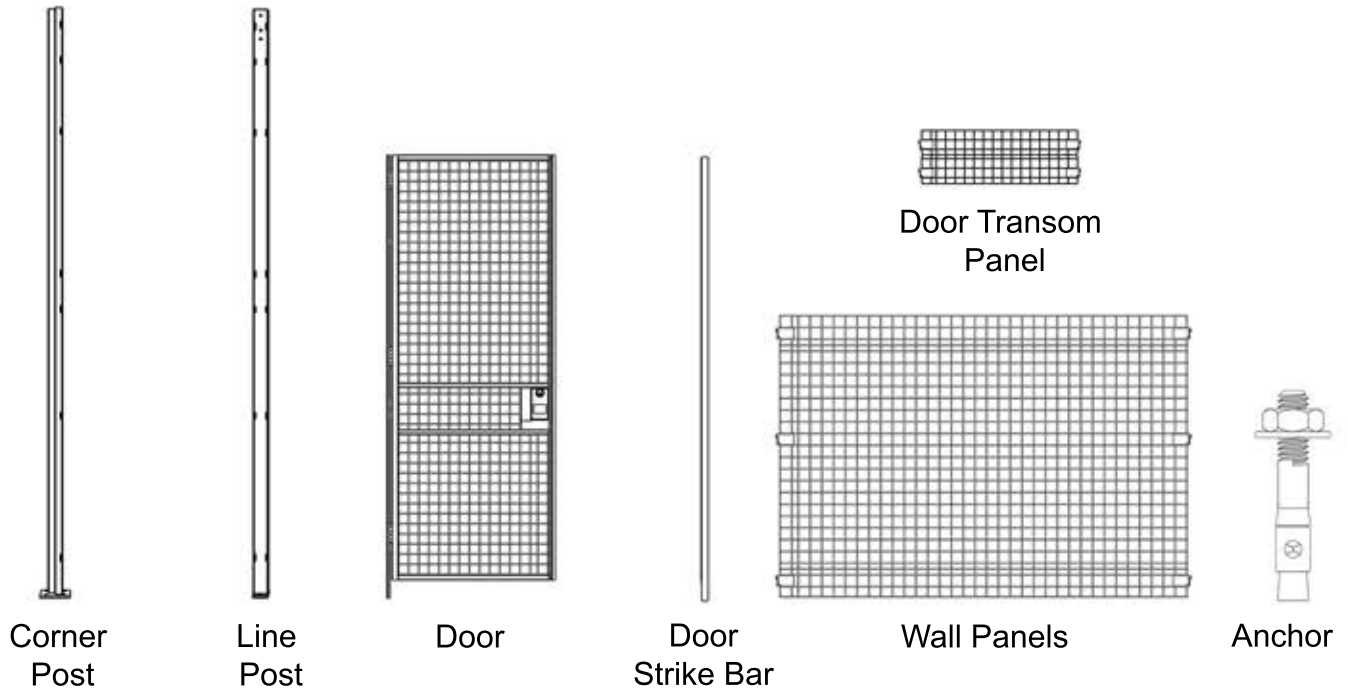
1/2", 7/16" 3/4"

# Sample Layout



Note: Panels are installed from the inside of cage as shown

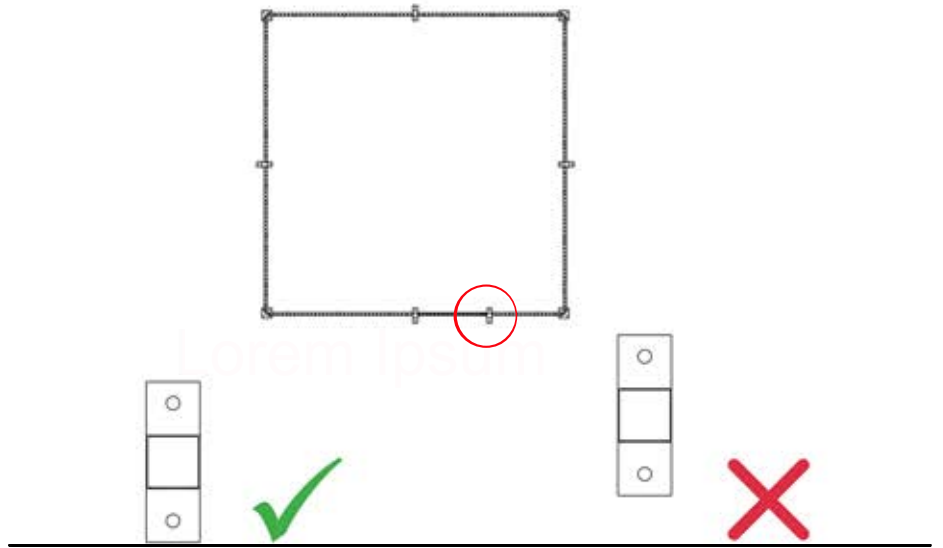
# Material List



## Post Installation

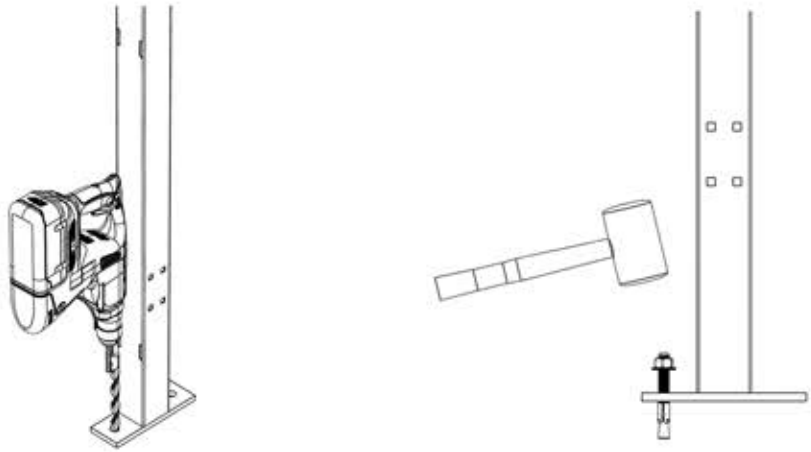
### STEP 1

Align posts.



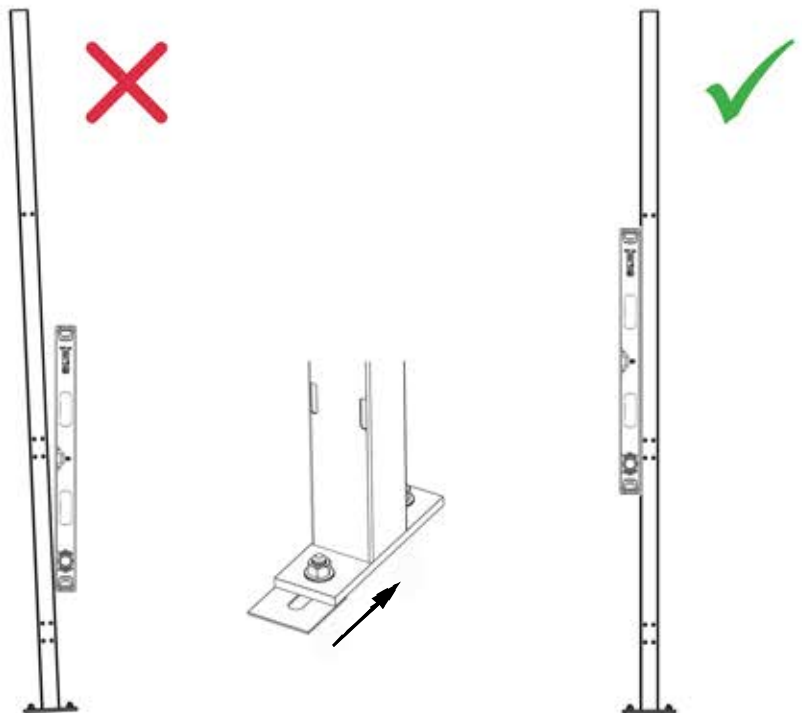
### STEP 2

Drill and anchor posts.



### STEP 3

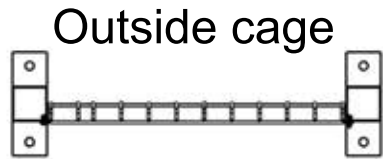
Check for plumb and shim as needed.



# Panel Installation

## **STEP 1**

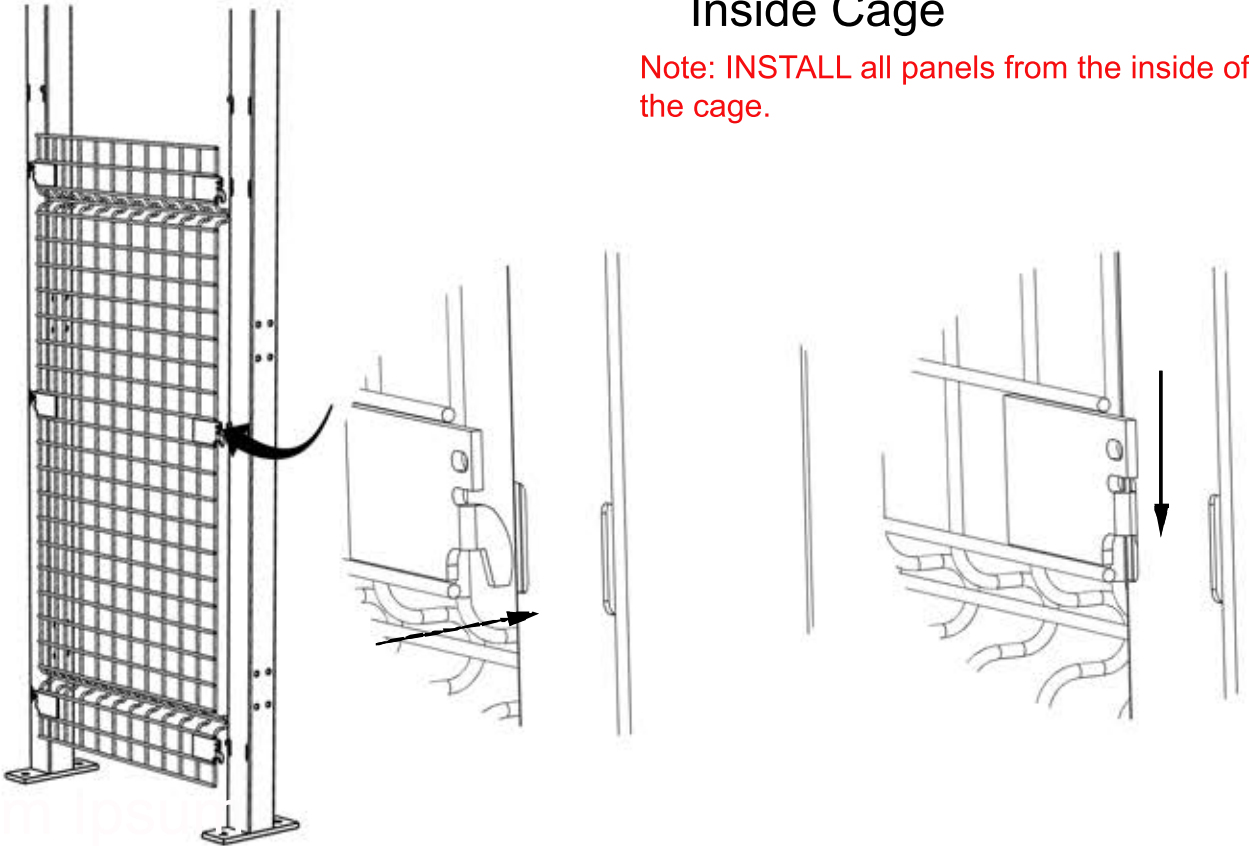
**Insert hook  
and slide down.**



**Inside Cage**

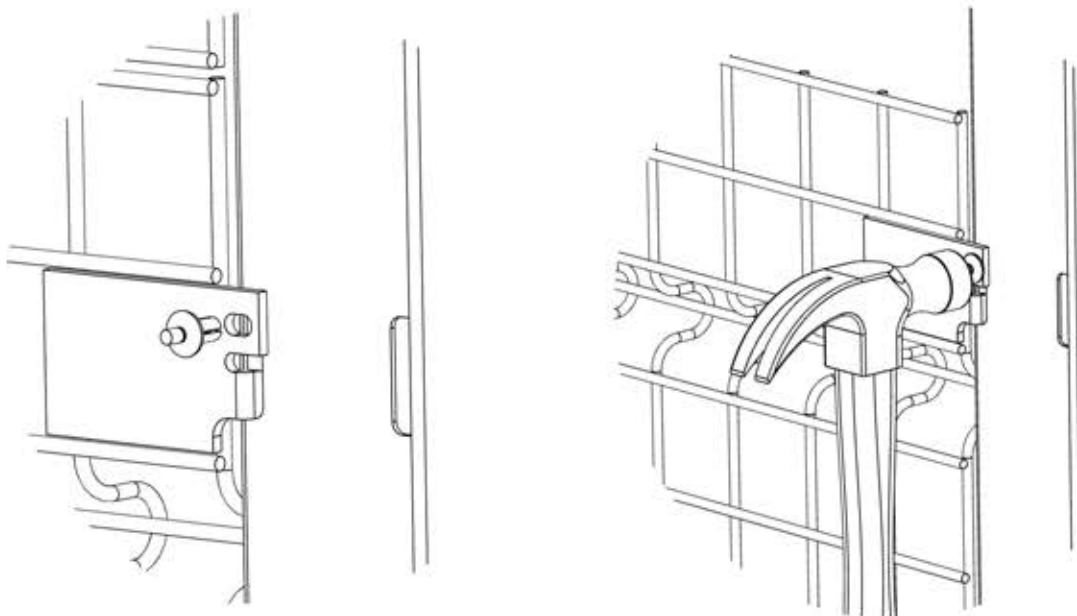
**Note: INSTALL all panels from the inside of the cage.**

**Inside  
Cage**



## **STEP 2**

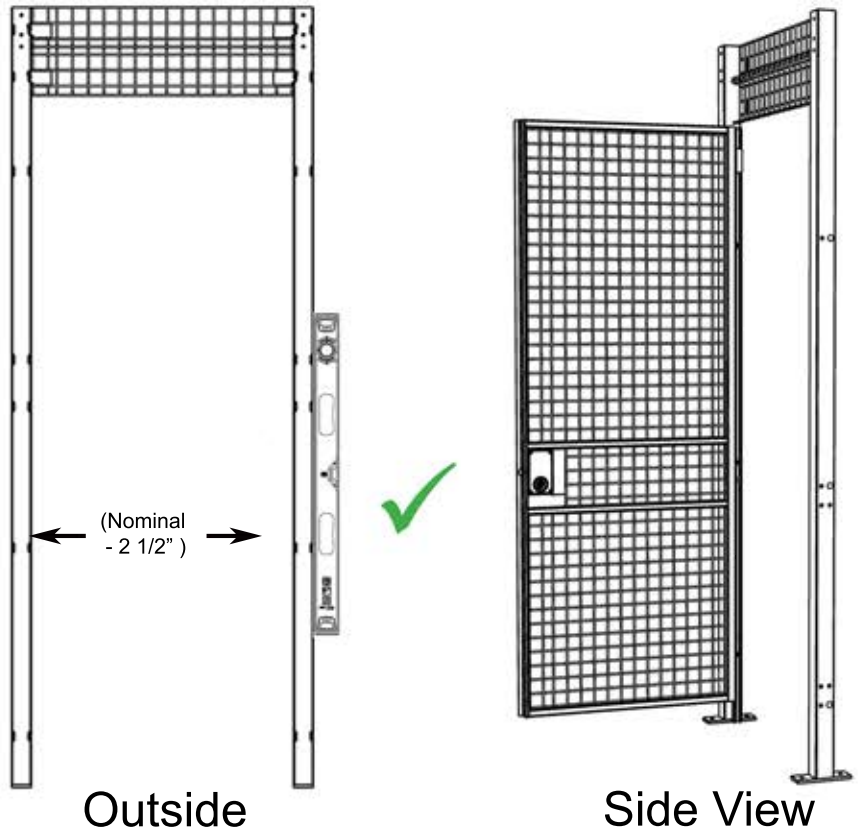
**Insert and hammer  
drive pin.**



# Single Swing Door Installation

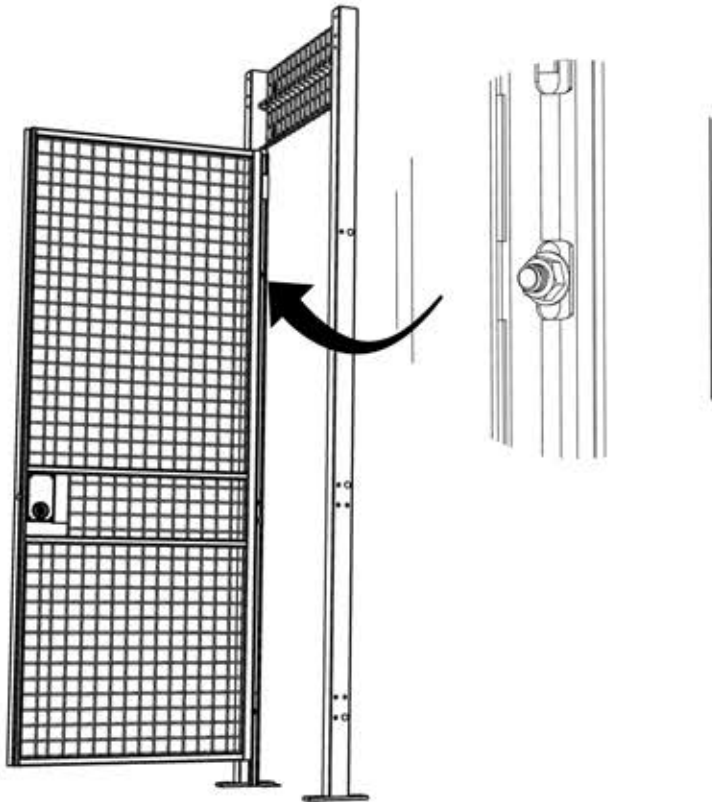
## STEP 1

Verify posts are plumb and distance between posts equals the door size minus 2 1/2".



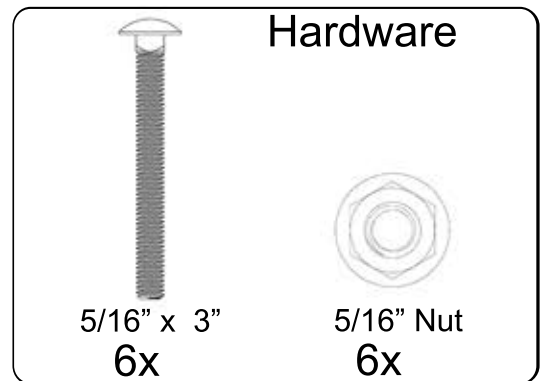
## STEP 2

Attach door using (3) 5/16" x 3" carriage bolts



## STEP 3

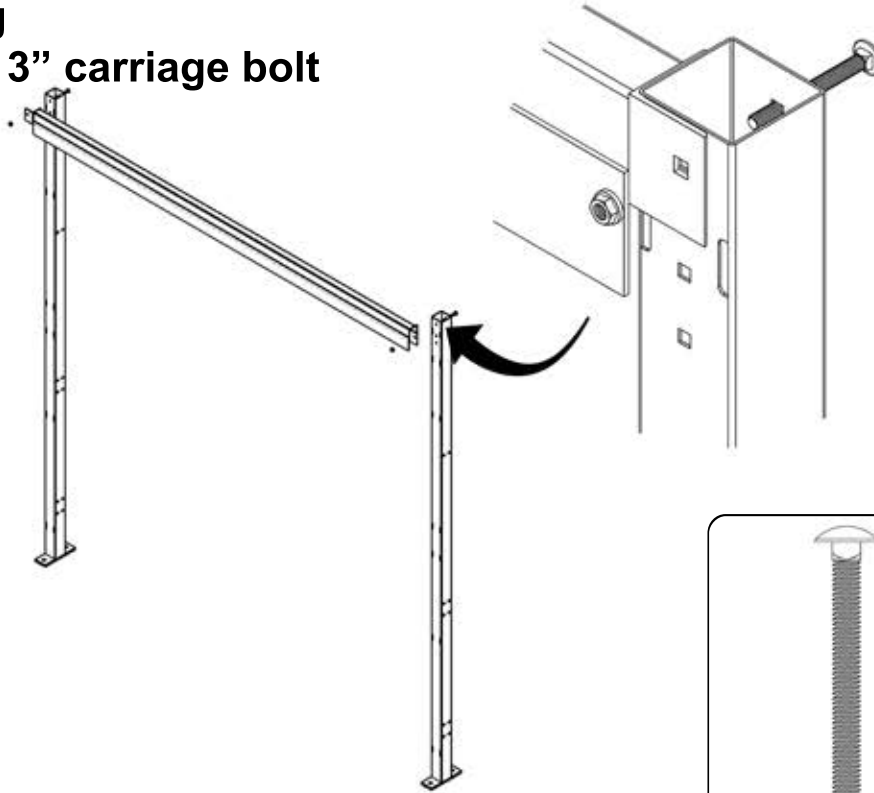
Repeat step 2 with strike bar using (3) 5/16" x 3" carriage bolts



# Double Swing Door Installation

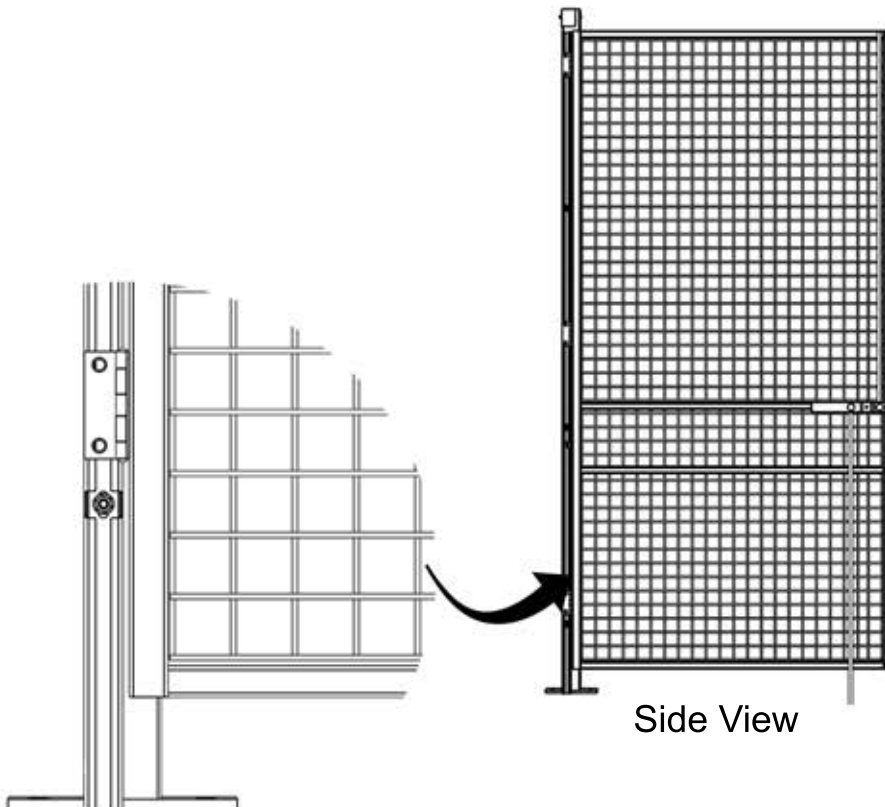
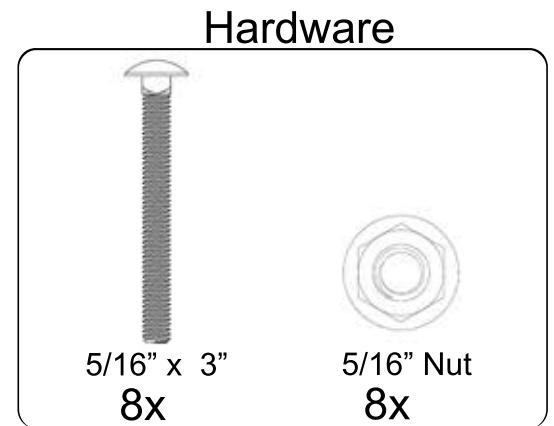
## STEP 1

Attach header bar to post using  
(2) 5/16" x 3" carriage bolt



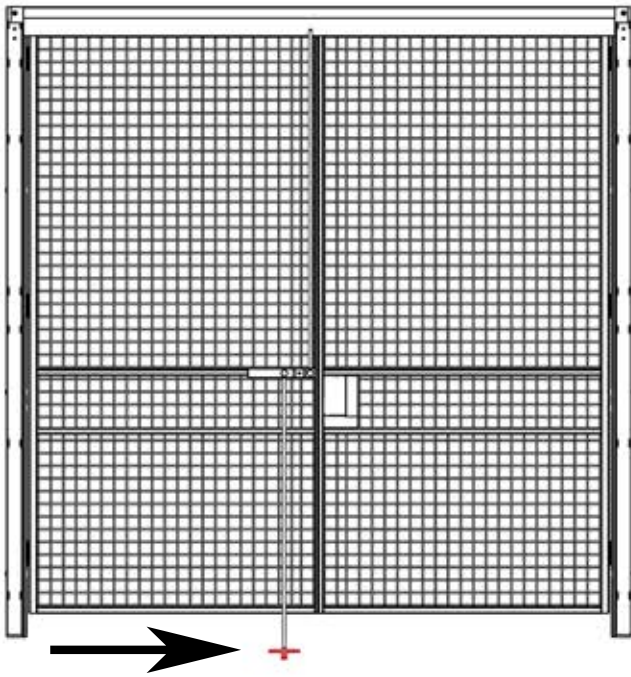
## STEP 2

Attach each door using  
(3) 5/16" x 3" carriage bolt



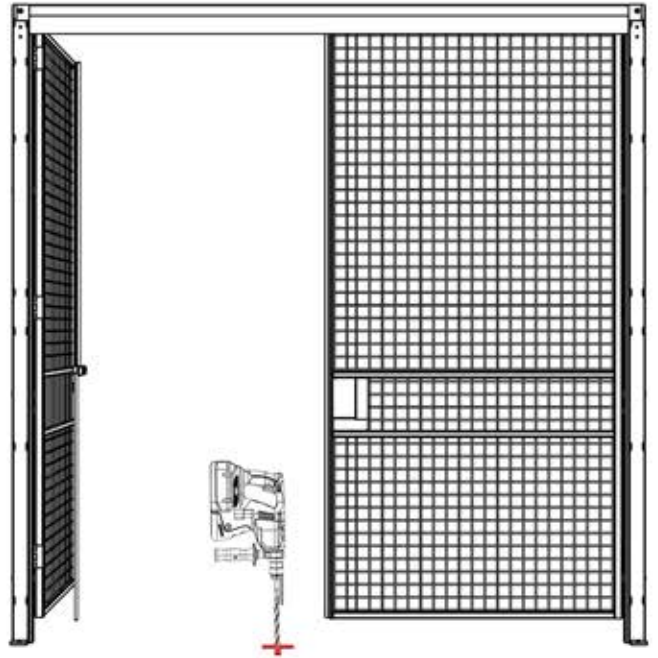
**STEP 3**

**Mark cane bolt location**



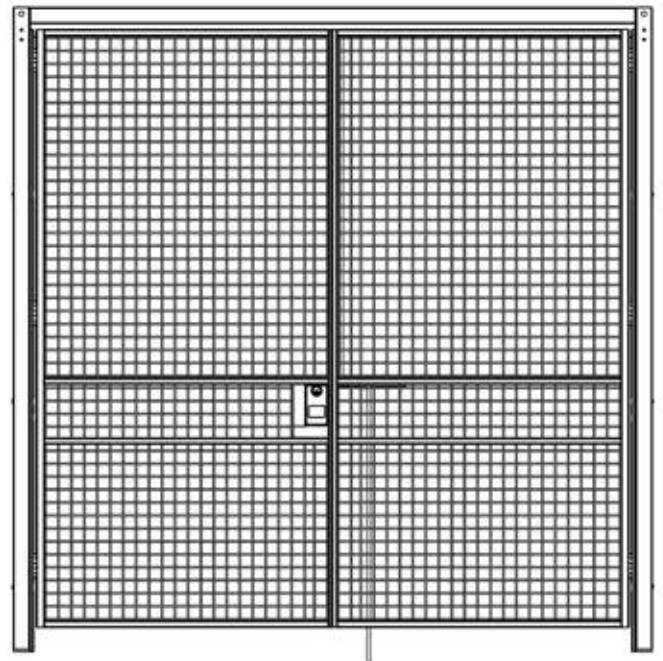
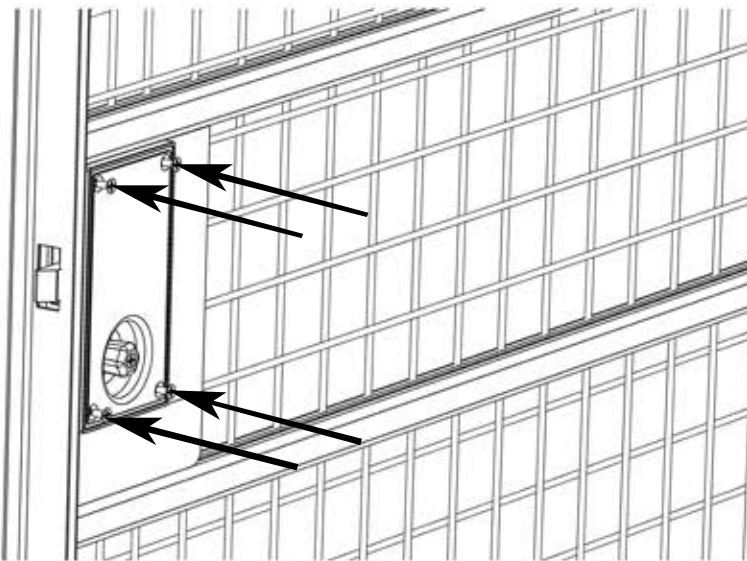
**STEP 4**

**Drill hole deep enough to allow cane bolt to be fully engaged**



**STEP 5**

**Attach lock provided**



# Slide Door Installation

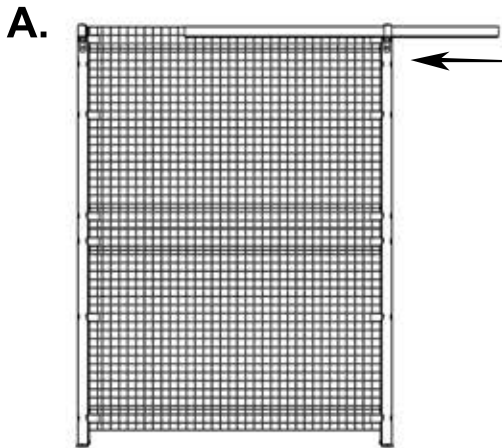
## STEP 1

Attach track hangers using  
(2) 5/16" x 3 1/2" carriage bolts per hanger.

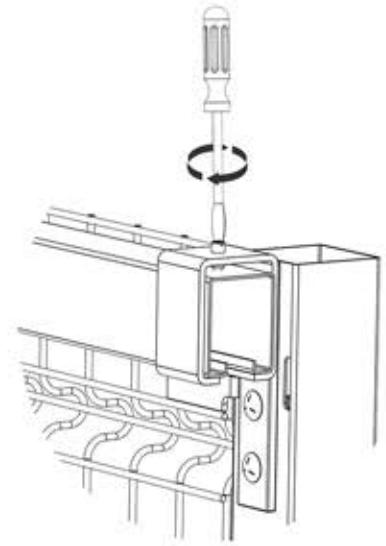


## STEP 2

- A. Insert track into track brackets.
- B. Tighten top bolts on track brackets.

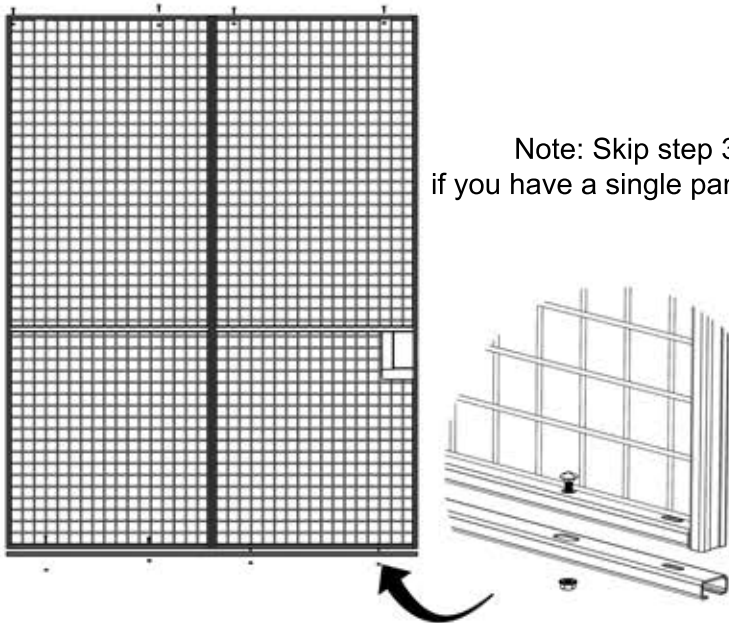


B.



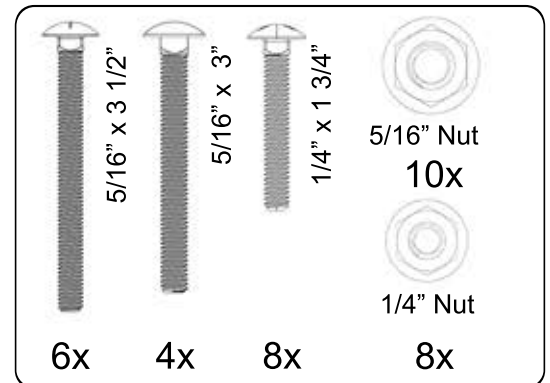
## STEP 3

Use (4) 1/4" x 1 3/4" carriage bolt  
to attach top and bottom splice bar.



Note: Skip step 3  
if you have a single panel door

### Hardware

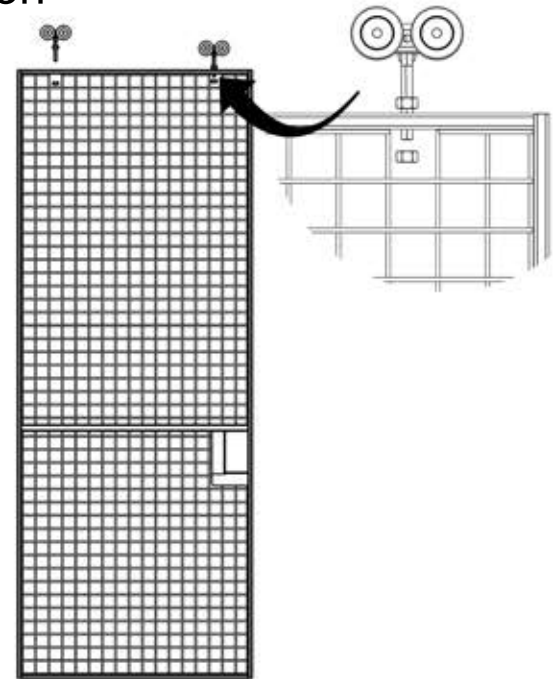




## Slide Door Installation

### **STEP 4**

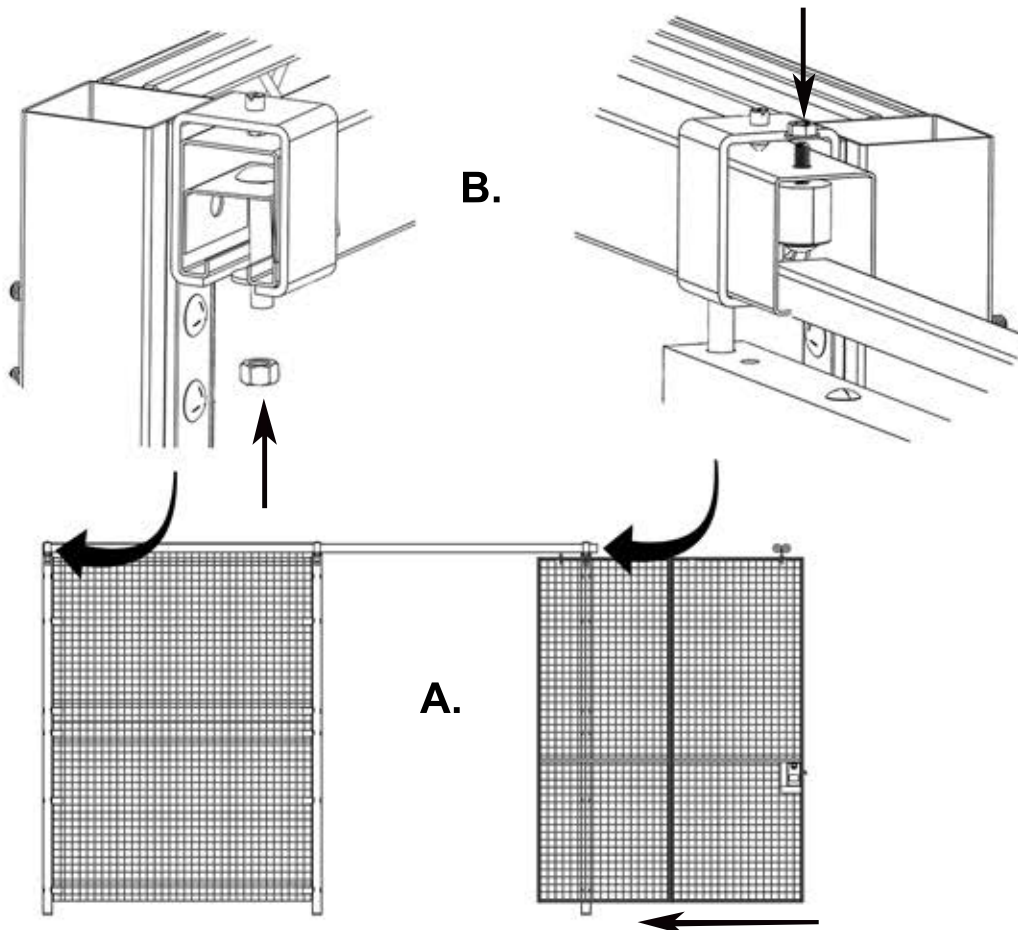
**Attach trolleys to the door.**



### **STEP 5**

**A. Align up door trolleys with track and slide door in . Note: leave door in the center until step B is completed.**

**B. Install track door stop and bumper.**



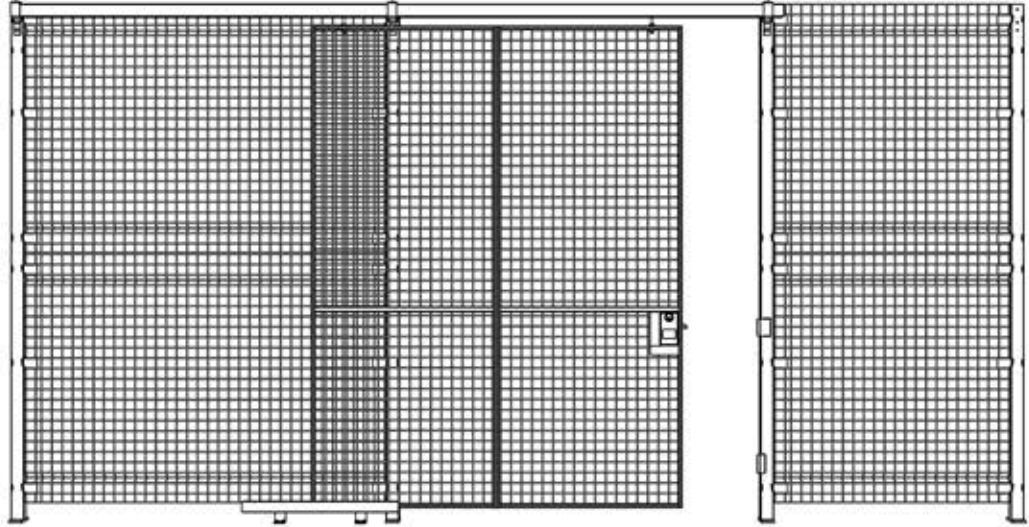
Note: Install bumpers  
after sliding door in.

**STEP 6**

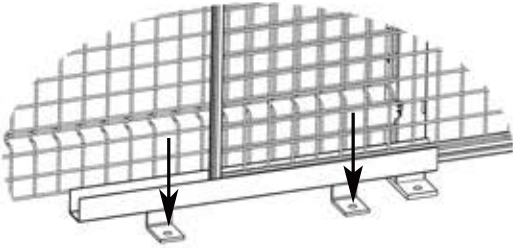
**A. Anchor floor guide**

**B. Install standard lock**

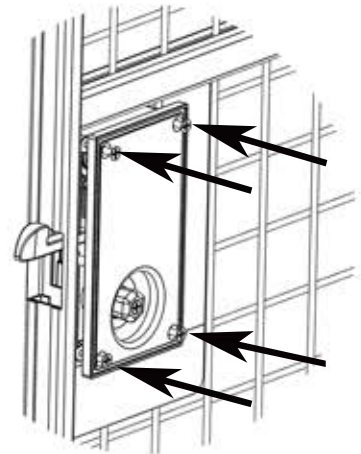
**C. Attach door receiver and door guide using (4) 5/16" x 3" carriage bolt**



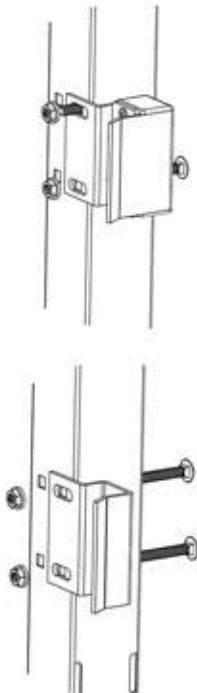
**A.**



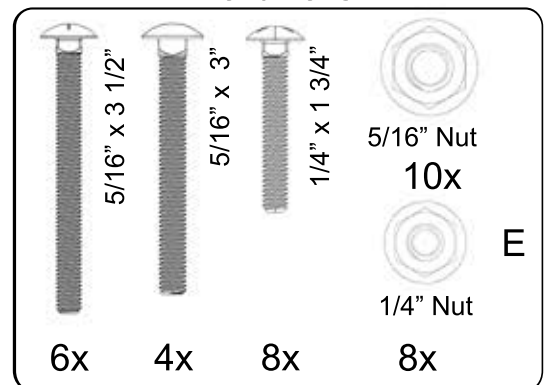
**B.**



**C.**



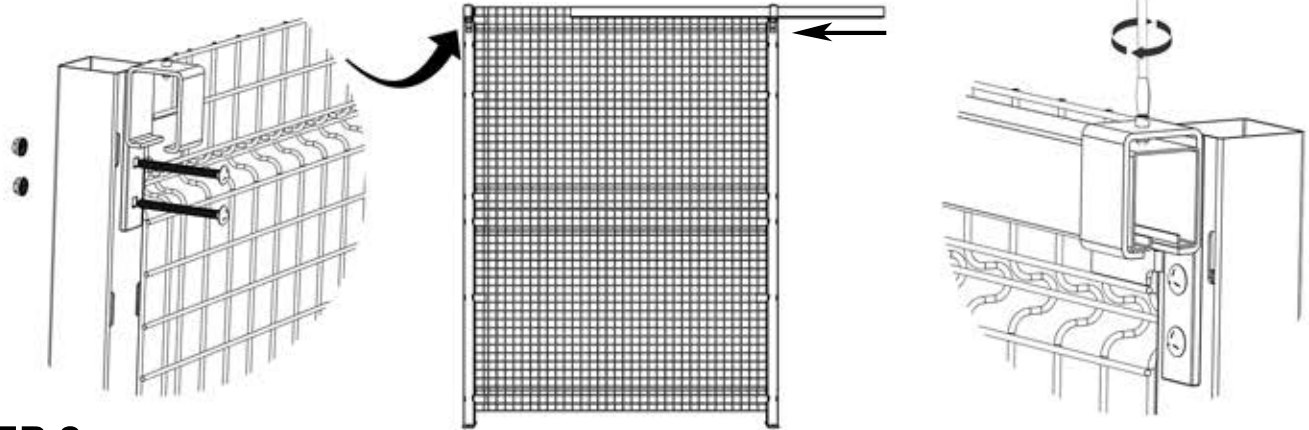
**Hardware**



# Tunnel Door Installation

## STEP 1

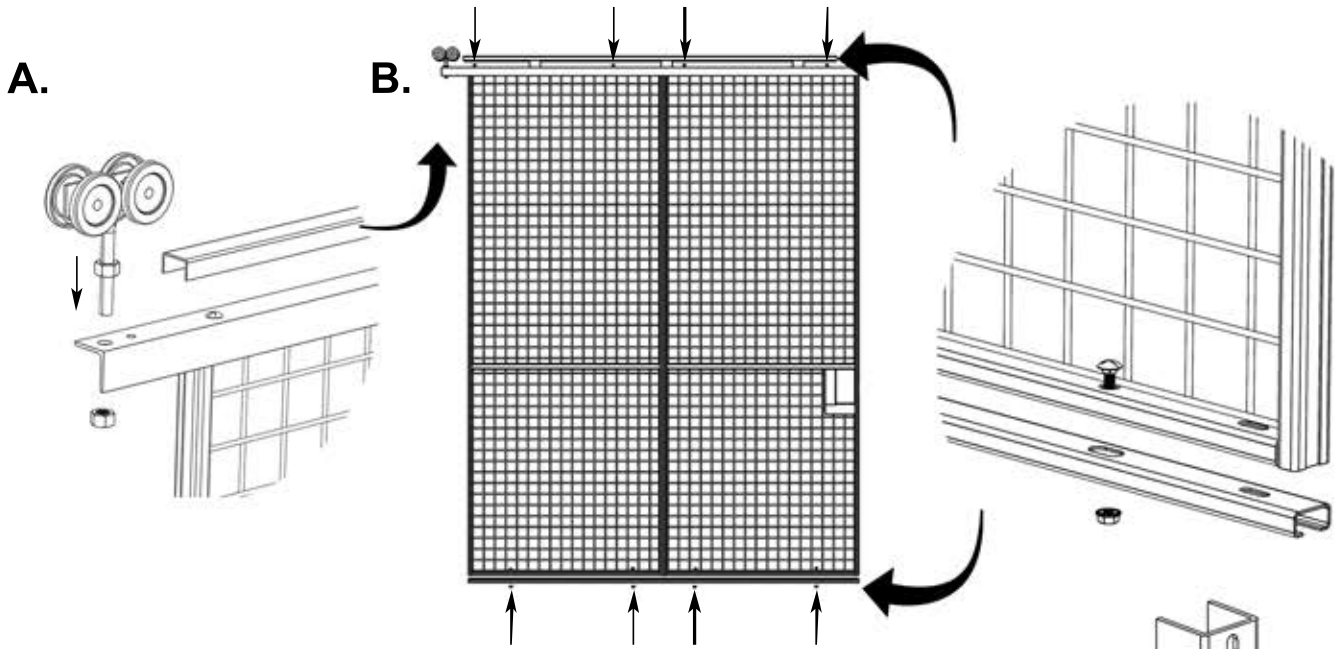
- A. Attach track hangers using (2) 5/16" x 3 1/2" carriage bolts per hanger
- B. Slide track into track brackets.
- C. Tighten screw on top of track bracket to secure track.



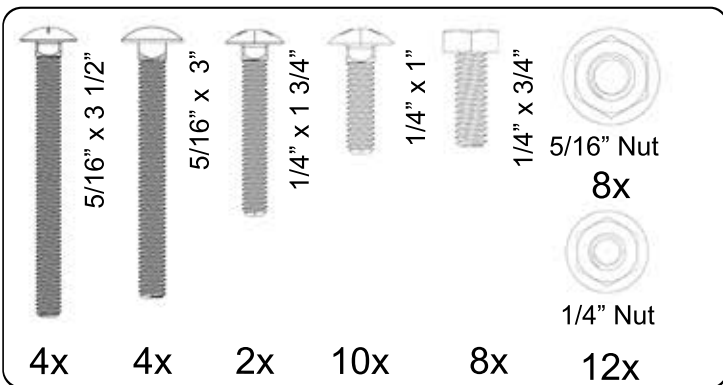
2x

## STEP 2

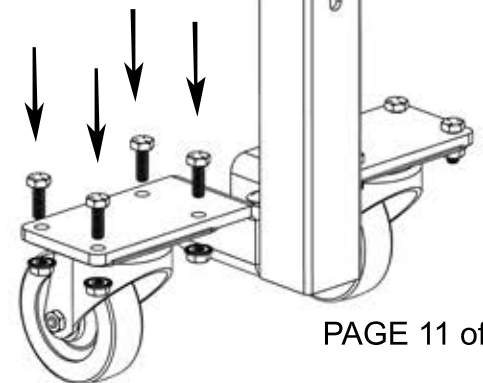
- A. Attach trolley to the splice top bracket.
- B. Bolt door panels together using (8) 1/4" x 1 3/4" carriage bolt.
- C. Attach casters to caster plate with (8) 1/4" x 3/4" hex head bolt.



### Hardware

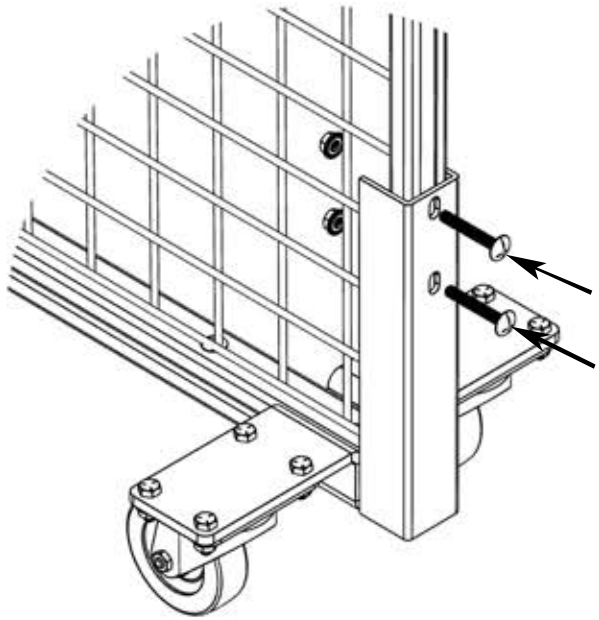


### C.



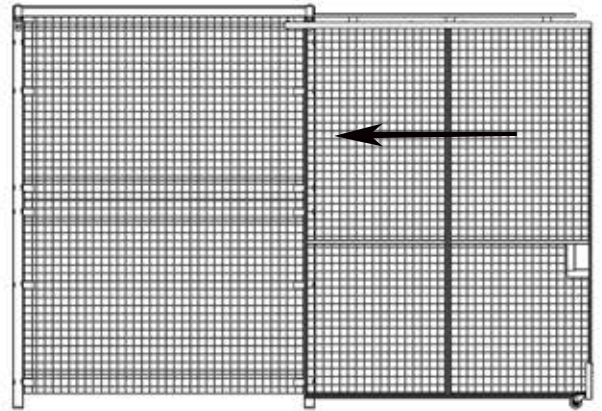
**STEP 3**

**Attach assembly to the door using (2) 1/4" x 1 3/4" carriage bolt.**



**STEP 4**

**Align up trolley with track and slide in door.**



**Repeat step 6 on page 10**